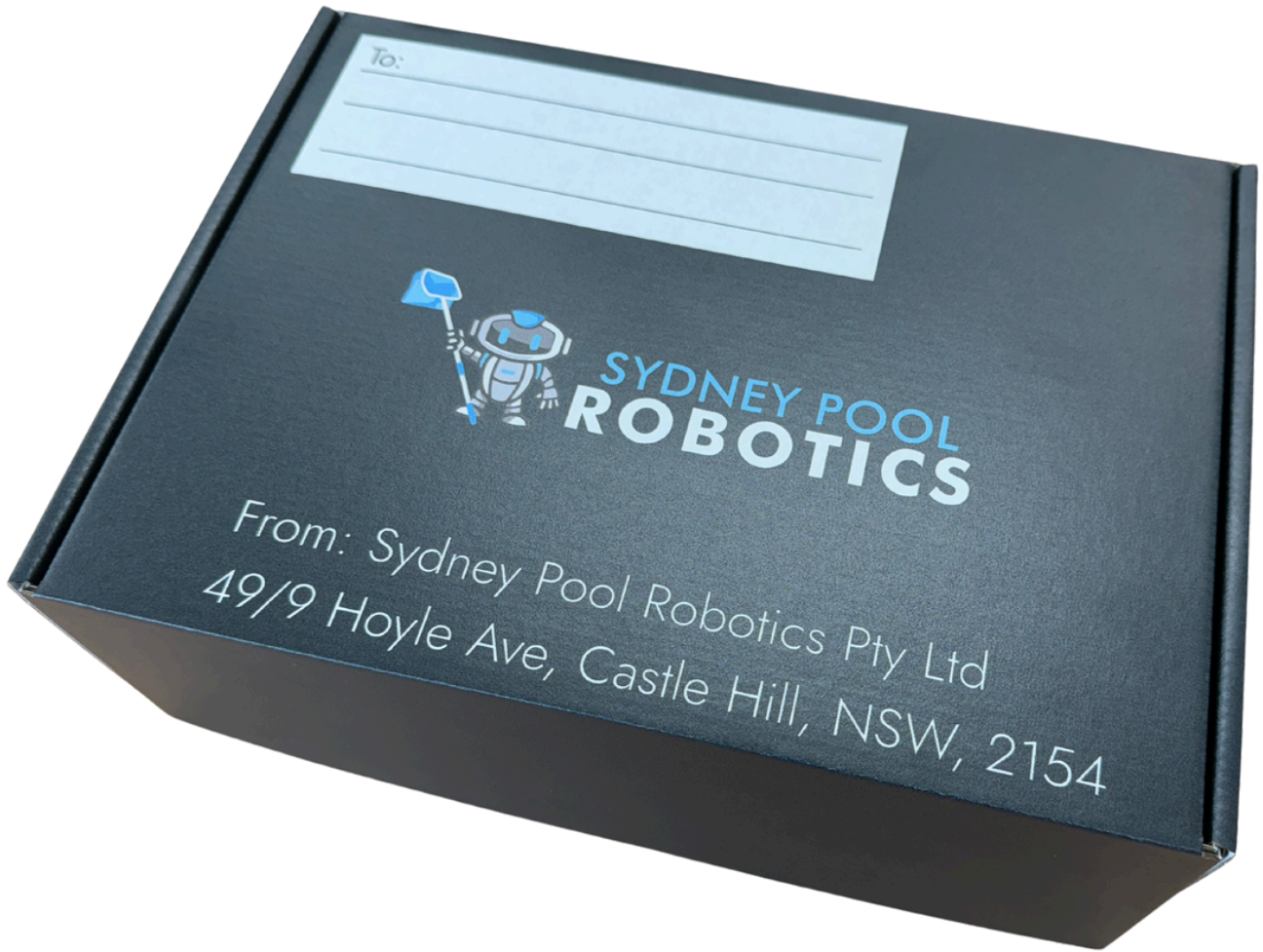


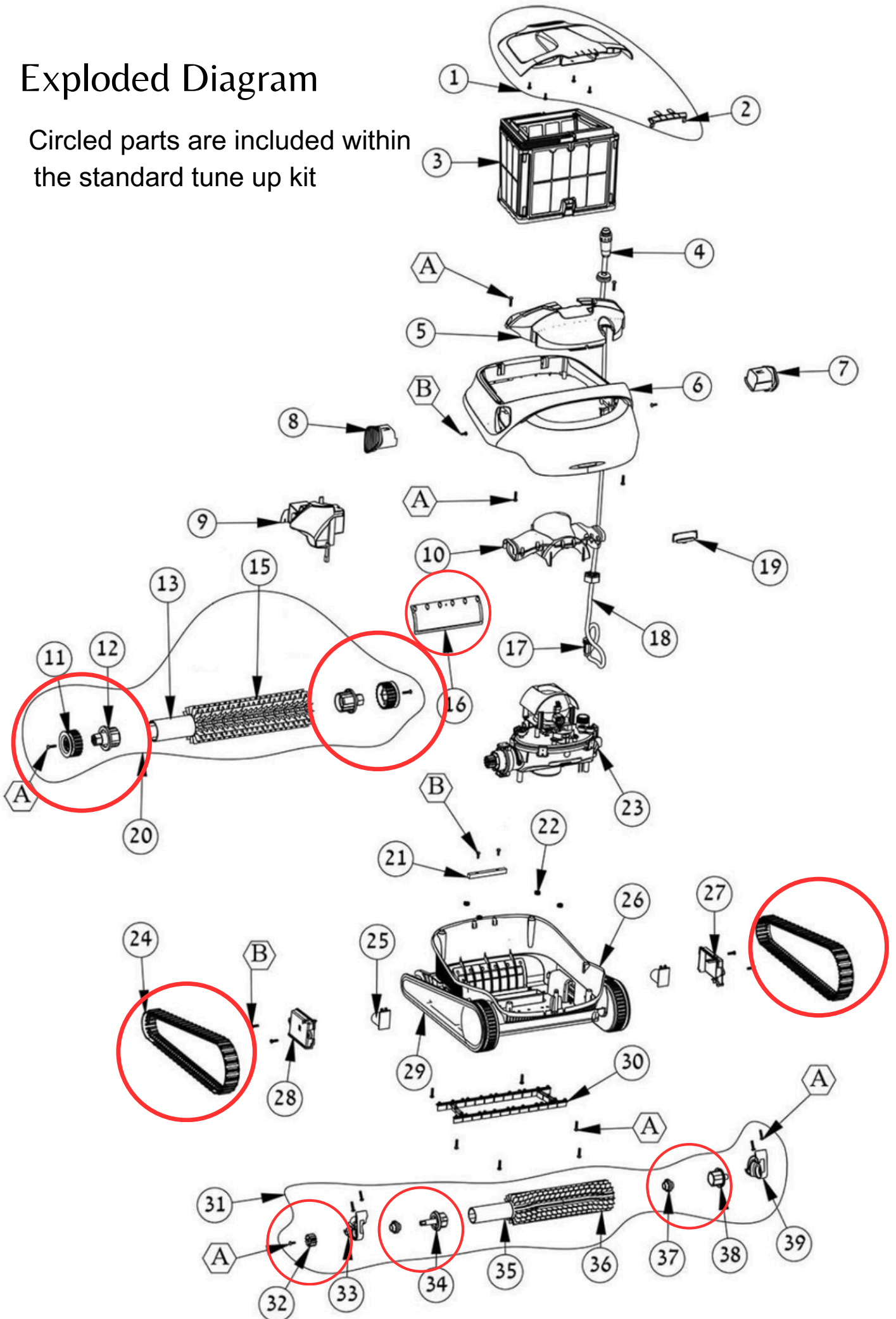
# Maytronics S and X Series Tune up Kit Installation Instructions





# Exploded Diagram

Circled parts are included within the standard tune up kit



# Parts Supplied



# Layout



## Tools Required

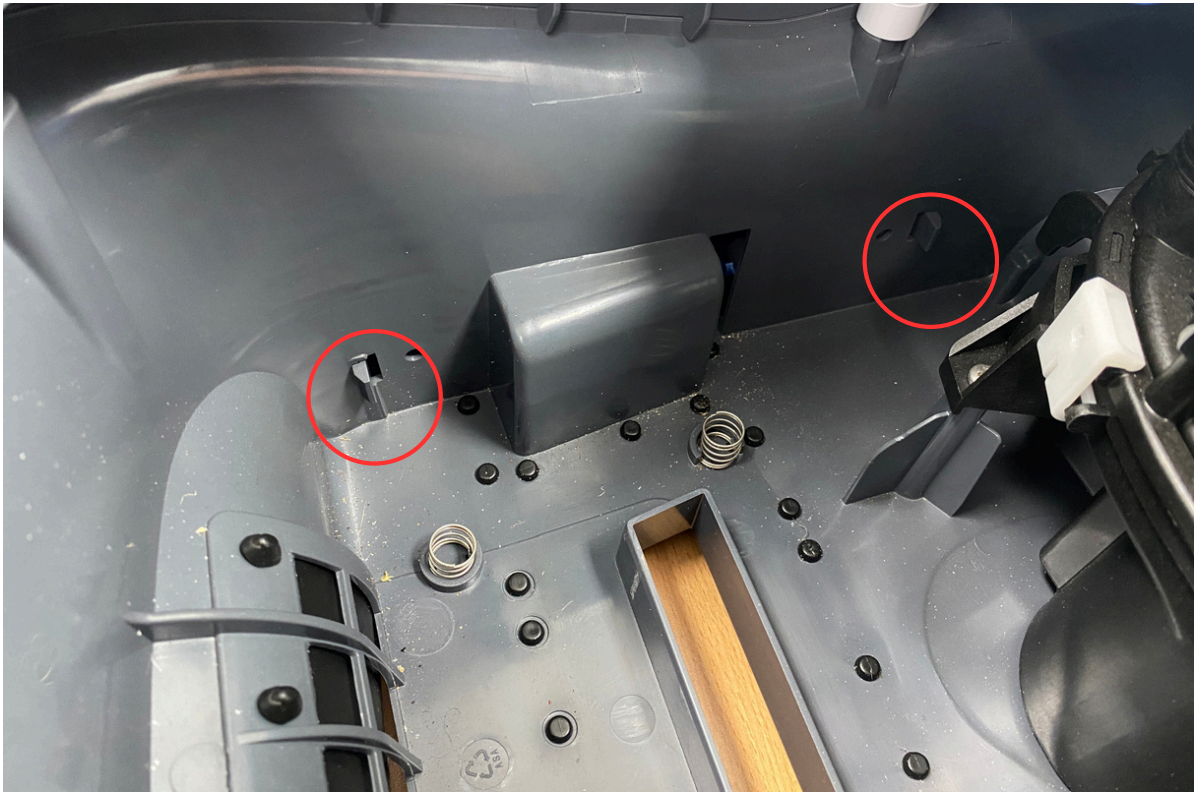


## Full Disassembly



## Step 1

Remove the robot side panels. There are two clips holding the side panel in place.

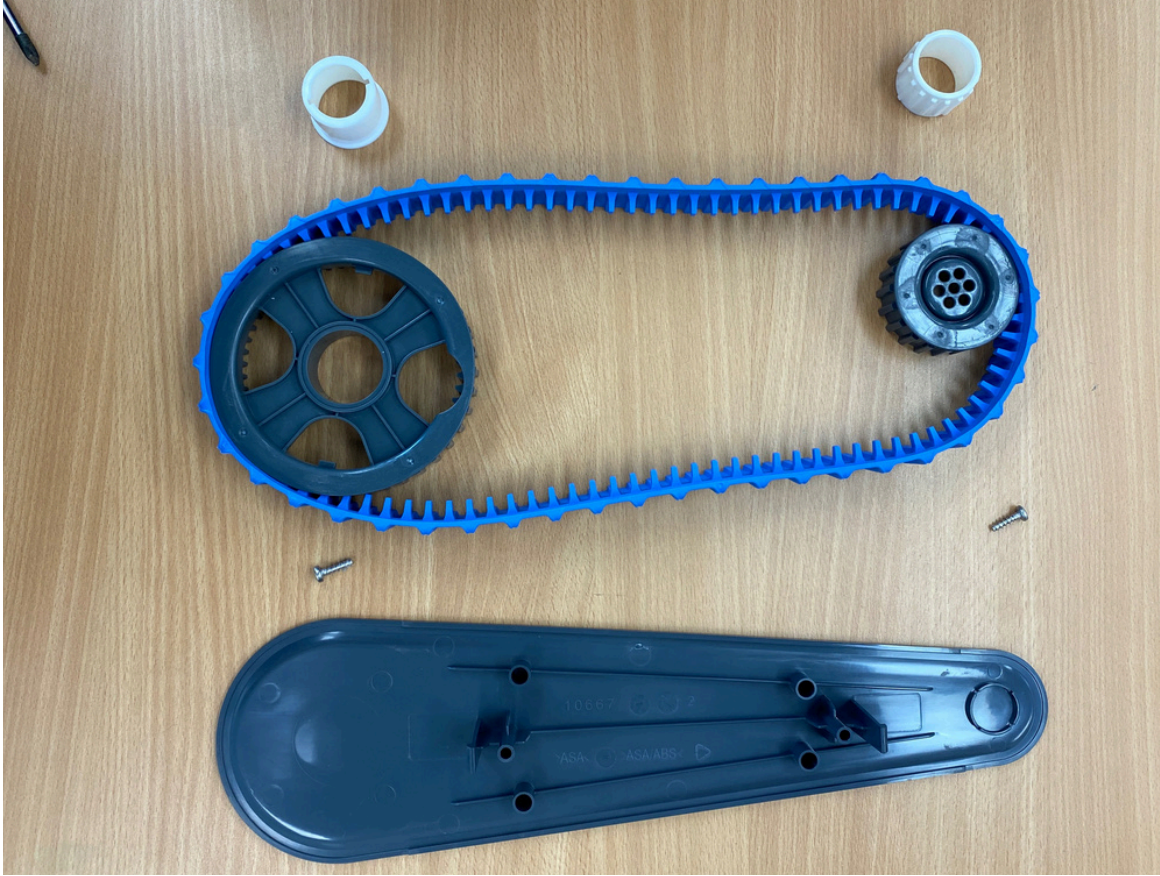


Behind the side panels you'll find the screws that release the wheels.



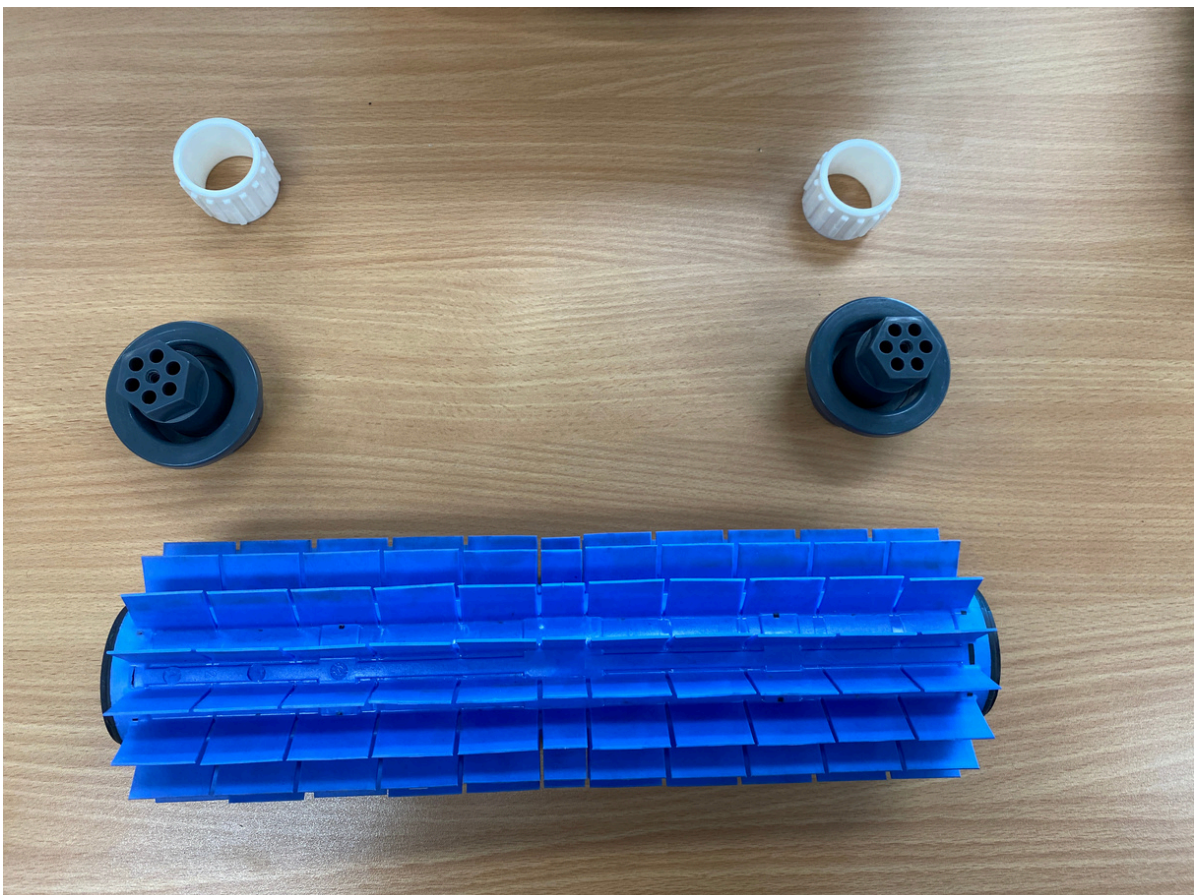
## Step 2

Removing the screws will release the full track assembly



## Step 3

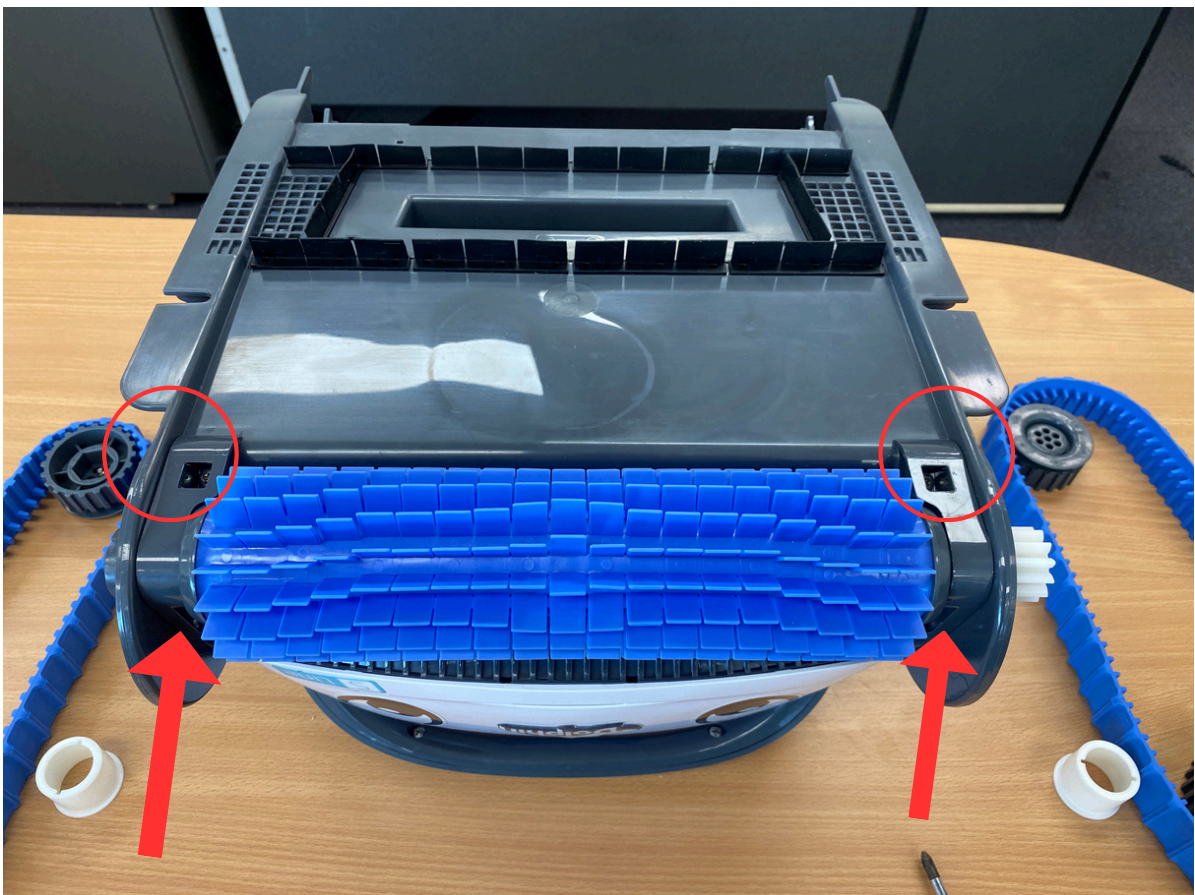
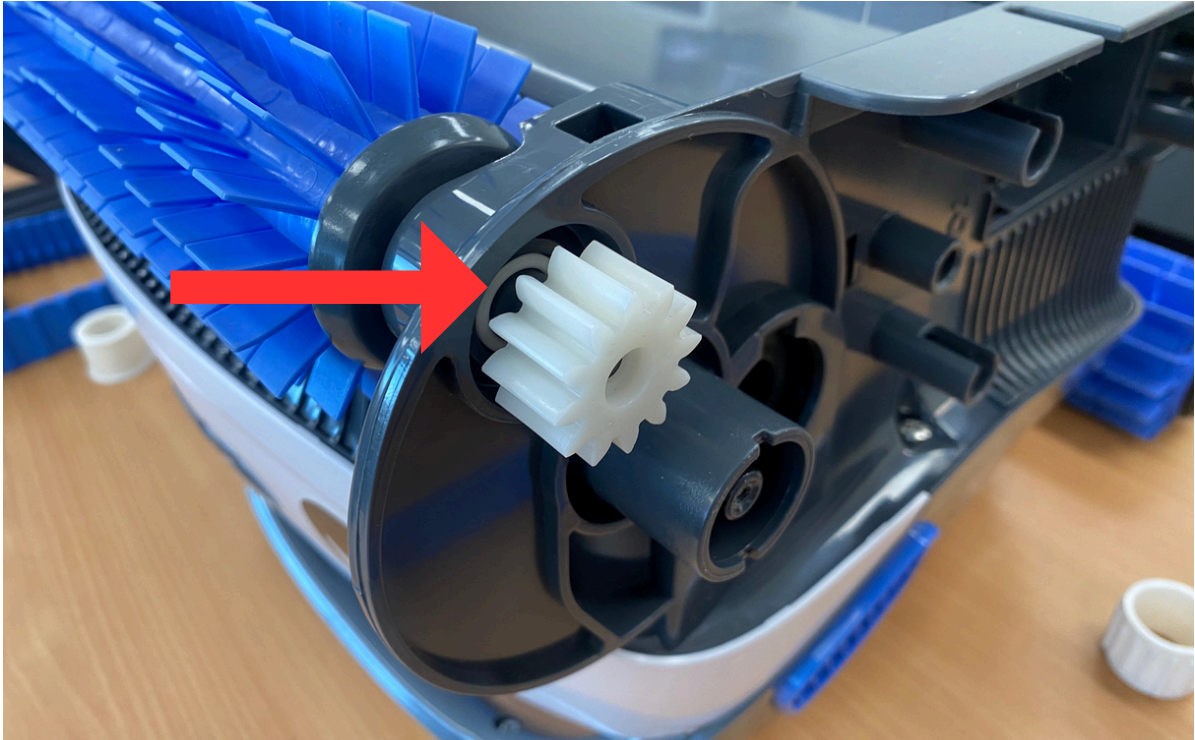
The rear brush assembly will then be free to remove. Replace the four components supplied in the kit. The brush is not included. Put the brush assembly aside for now.





## Step 4

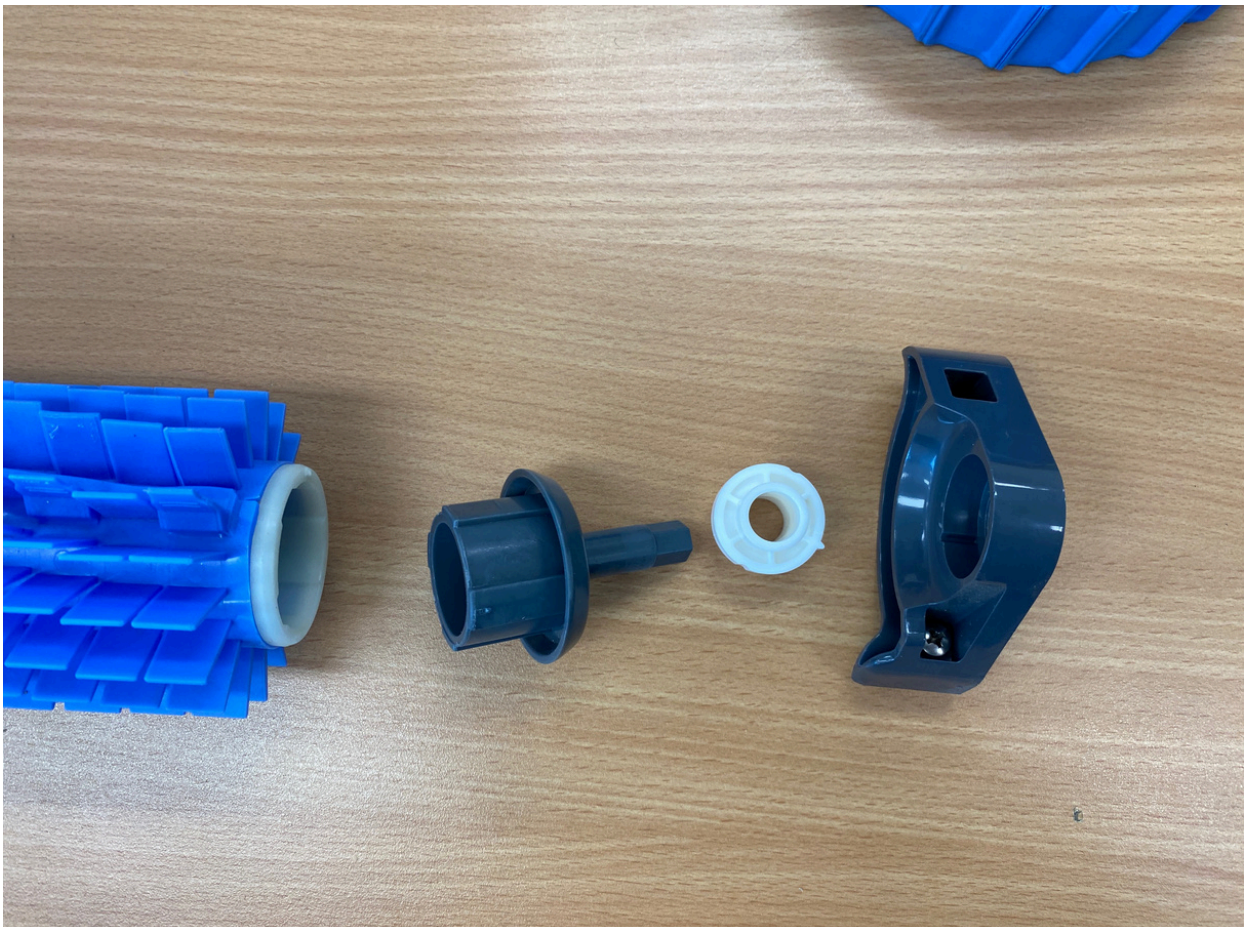
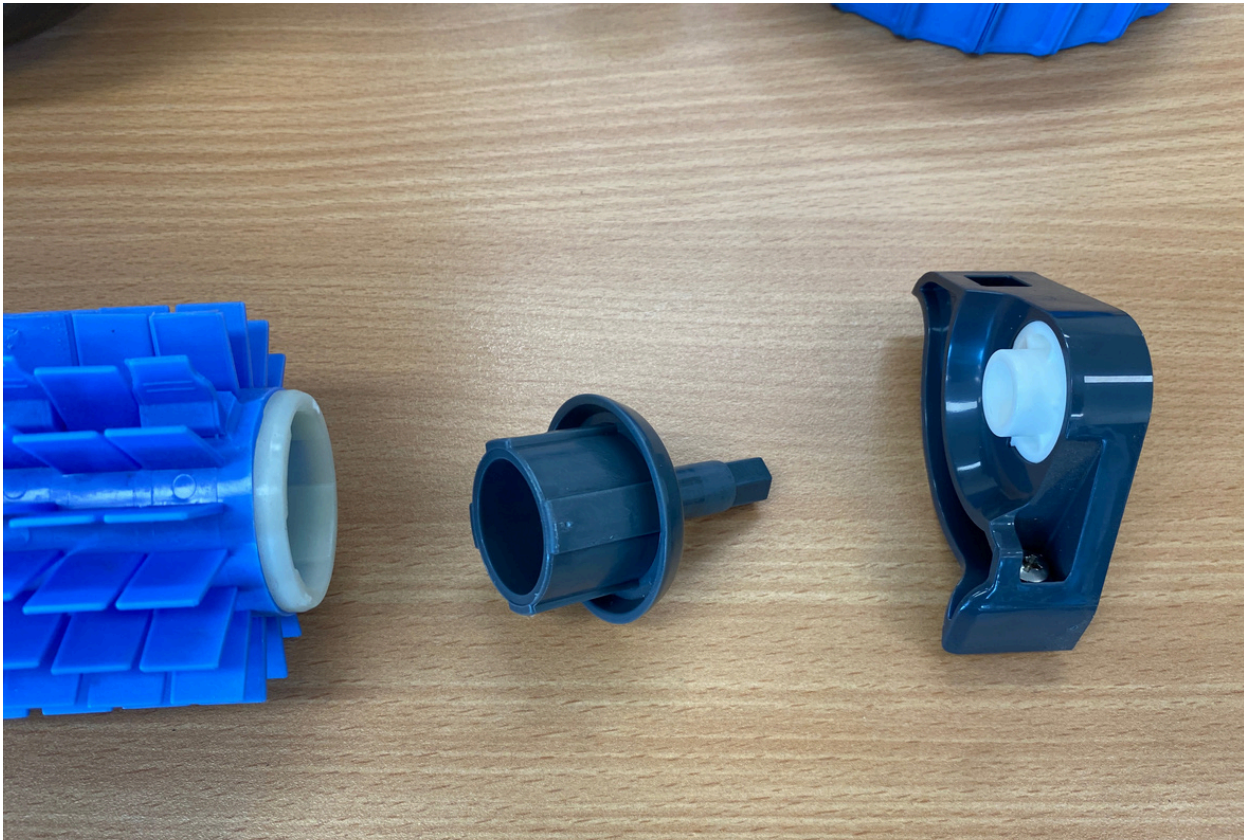
Remove the Active Brush Gear and the four screws retaining the front brush assembly. A new Active Brush Gear is supplied with the tune up kit.

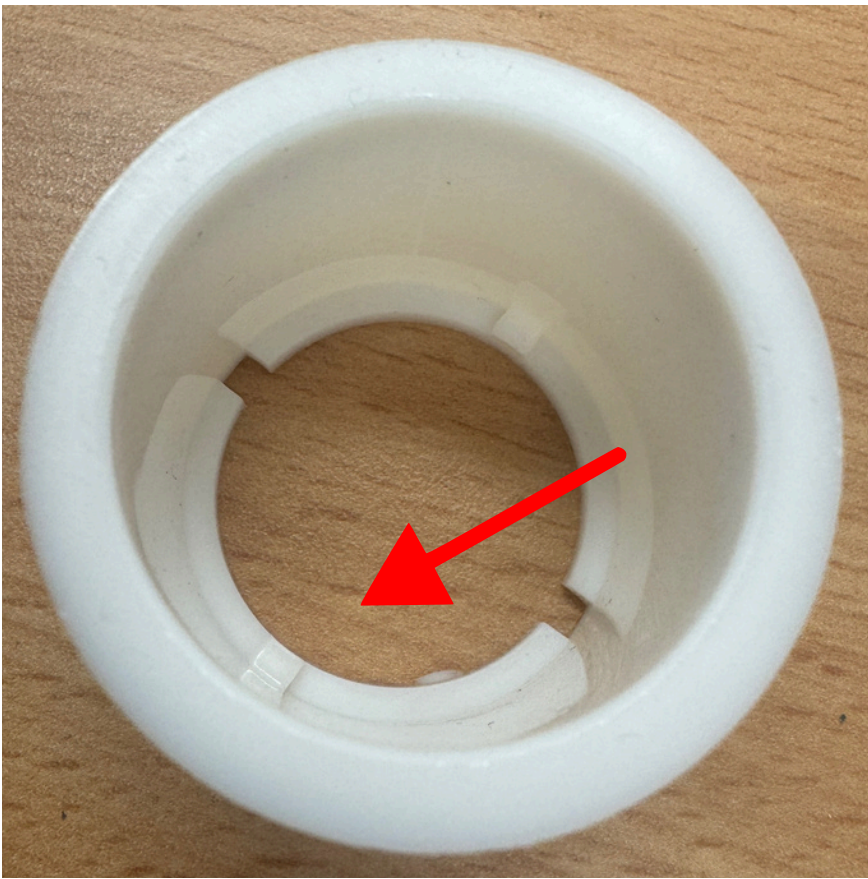




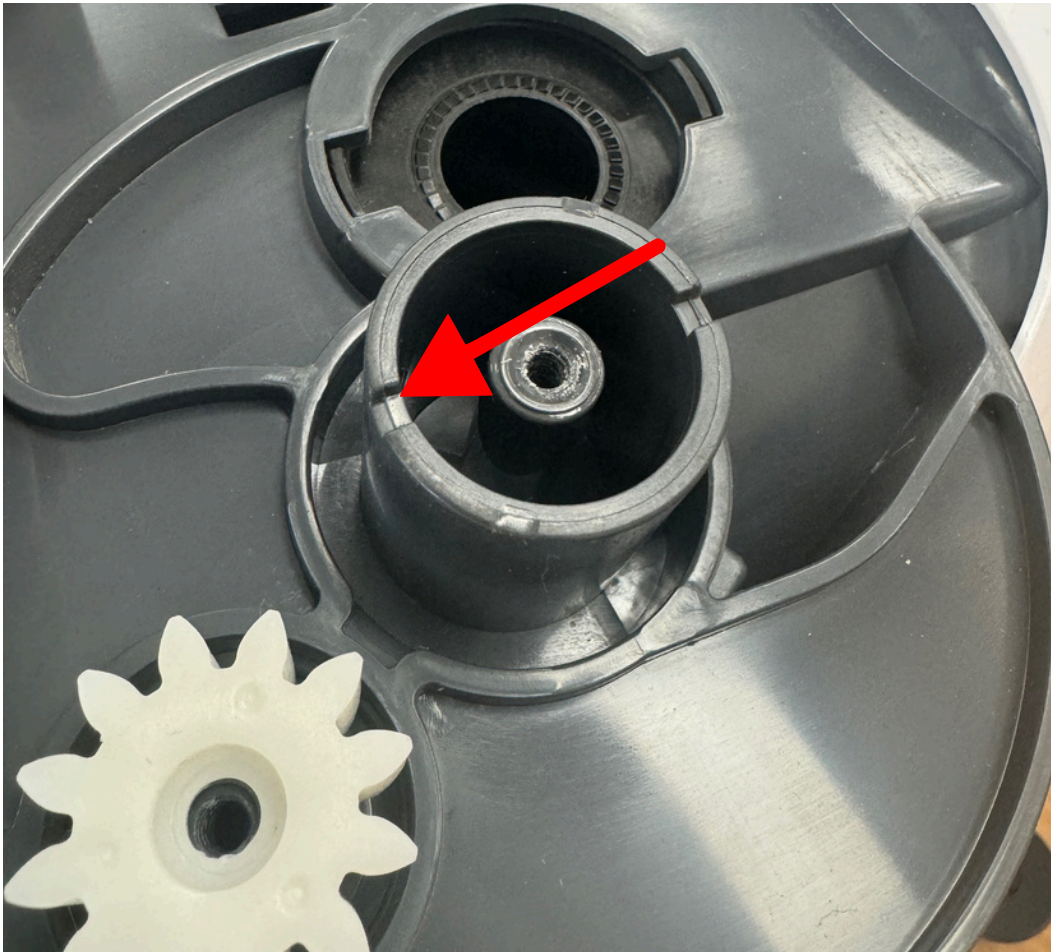
Replace the supplied parts, note that the active brush holder is not included in the tune up kit.







The above part is the front wheel bushing, there is one on each front wheel. Be sure to line up the lugs with the grooves on the chassis before tightening, failure to do so can crack the bushing. Rotate the bushing and you'll feel it locate to grooves.





With the wheel bushing in place, slip the front wheel over the bushing. The small wheel disk and retaining screw then holds the wheel in place. Again be sure to line up the lugs on the disk with the grooves in the bushing before tightening.



## Step 5

You should have now disassembled and replaced all the supplied components of your robotic pool cleaner. Before you reinstall the front and rear brush you will need to replace the Rapid Drain Flap.

The Rapid Drain Flap is attached as shown below, simply push the plugs through the holes as shown. Note that this can sometimes be a challenge when the rubber is cold, if so, warm the rubber up to make it easier to handle.



To ensure a tight fit, from the inside of the robot, use long nose pliers to pull the plugs in a little.



Once the Rapid Drain Flap has been installed you can go ahead and reinstall the front and rear brushes and tracks. Reinstall the side panels.

Before returning your robot to the pool, carry out a dry test. With the robot upside down, turn the controller on. The robot will run forwards then backwards before spinning the impeller. If the process completes and the robot runs smoothly, the process is complete. Note that dry running tracks do make creaks and squeaks, but should move more freely.

Congratulations, you have now successfully repaired your robot.