

TYPE EM14--  
TYPE EM15--

# CX35

## Robotic Pool Cleaner Owner's Manual

### **WARNING**

**FOR YOUR SAFETY** - For anything other than the routine cleaning and maintenance described in this manual, this product must be serviced by a pool technician who is licensed and qualified in pool equipment by the jurisdiction in which the product will be installed where such state or local requirements exist. In the event no such state or local requirement exists, the pool technician must be a professional with sufficient experience in pool equipment installation and maintenance so that all of the instructions in this manual can be followed exactly. Improper installation and/or operation will void the warranty.

# Table of Contents

<b>Section 1. Important Safety Instructions.....</b>	<b>3</b>	<b>Section 4. Maintenance.....</b>	<b>13</b>
<b>Section 2. Getting Started.....</b>	<b>4</b>	4.1 Avoid Cord Tangling .....	13
2.1 General Specifications .....	4	4.2 Check for Brush Wear .....	14
2.2 Recommendations for Use.....	4	4.3 Storing the Cleaner .....	14
2.3 Unpacking .....	4	4.4 Replacing the Brushes .....	14
2.4 Assembling the Transport Caddy .....	5	4.5 Replacing the Track.....	15
2.5 Connecting the Control Unit to the Caddy.....	6	<b>Section 5. Troubleshooting .....</b>	<b>17</b>
2.6 Connecting to a Power Source.....	7	5.1 Using the Information LED .....	17
<b>Section 3. Operation.....</b>	<b>8</b>	5.2 General Troubleshooting .....	18
3.1 Submerging the Cleaner .....	8	<b>Section 6. Conformity .....</b>	<b>19</b>
3.2 Cleaner Control box .....	8		
3.3 Starting the Cleaner .....	9		
3.4 Wall Climbing (Surface Control System).....	10		
3.5 Stopping the Cleaner and Removing from the Pool.....	10		
3.6 Rinsing the Cleaner.....	11		
3.7 Cleaning the Filter Canister.....	11		
3.8 Storing the Cleaner .....	12		

THANK YOU FOR PURCHASING THIS ROBOTIC POOL CLEANER BY ZODIAC®.

YOUR CLEANER HAS BEEN DESIGNED AND MANUFACTURED TO BE EASILY INSTALLED AND TO PROVIDE LOW MAINTENANCE OPERATION. A WARRANTY CARD IS SUPPLIED IN THE BOX. PLEASE GO TO ZODIAC.COM.AU TO REGISTER FOR WARRANTY.

Taking these steps will help ensure prompt warranty service, should it be required. If service is required, please contact your original dealer. If the original dealer does not perform warranty service, please visit [www.zodiac.com.au](http://www.zodiac.com.au) to locate an independent service company near you. If you are unable to locate a service company, please call our Customer Service Team at 1300 763 021.

# Section 1. Important Safety Instructions

Congratulations on purchasing the Zodiac® Robotic Cleaner. Please read through the entire manual before installing your new robotic pool cleaner. Your cleaner must be installed and operated as specified.

## READ AND FOLLOW ALL INSTRUCTIONS

### ⚠ WARNING

Failure to comply with the following warnings can result in permanent injury, electrocution or death.

#### PREVENT ELECTRICAL SHOCK

To reduce risk of electrical shock:

- The cleaner is to be installed in accordance with the relevant requirements of the Australian wiring rules AS/NZS 3000. Also refer to the installation instructions relating to the swimming pool equipment for which the cleaner will be an integral part. The cleaner is to be supplied through a Residual Current Device (RCD) with a rated residual operating current of 30mA.
- Do not enter pool while the robotic cleaner is in water.
- Do not bury cord. Locate cord so as to prevent it from being damaged by lawn mowers, hedge trimmers and other equipment.
- To reduce the risk of electrical shock, do not use the robotic cleaner or control box if the cord is worn or damaged. Contact Zodiac Customer Care Service 1300 763 021 immediately for proper servicing and replacement of the damaged cord.
- Double insulation—For continued protection against possible electric shock, use only identical replacement parts when servicing. Do not attempt repair of the robotic cleaner, control box, power cord, or floating cable.
- Use only the power supply provided with the product.
- NEVER OPEN Control box.
- DO NOT USE AN EXTENSION CORD TO CONNECT THE UNIT TO ELECTRIC SUPPLY; PROVIDE A PROPERLY LOCATED RCD PROTECTED POWER OUTLET. THE CONTROL BOX SHOULD BE PLACED NEAR THE RCD PROTECTED POWER OUTLET POINT.

#### PREVENT CHILD INJURY AND DROWNING

- To reduce the risk of injury, do not permit children or persons with reduced physical, sensory or mental capabilities, or lack of experience and knowledge to operate this product.
- Do not let anyone, especially small children, sit, step, lean, or climb on any equipment installed as part of your pool's operational system.

### ⚠ CAUTION

Failure to comply with the following warnings could cause damage to pool equipment or personal injury.

- The robotic cleaner must be installed and operated as specified.
- This product is intended for use with permanently-installed pools. Do not use with storable pools. A permanently-installed pool is constructed in or on the ground or in a building such that it cannot be readily disassembled for storage. A storable pool is constructed so that it is capable of being readily disassembled for storage and reassembled to its original integrity.
- Clean the filter canister after each use.
- Do not use the product in your pool if the water temperature is above 35° C (95° F) or below 13° C (55° F).

### ⚠ CAUTION

#### USE OF THE ZODIAC ROBOTIC CLEANER IN A VINYL LINER POOL


Certain vinyl liner patterns are particularly susceptible to rapid surface wear or pattern removal caused by objects coming into contact with the vinyl surface, including pool brushes, pool toys, floats, fountains, chlorine dispensers, and automatic pool cleaners. Some vinyl liner patterns can be seriously scratched or abraded simply by rubbing the surface with a pool brush. Ink from the pattern can also rub off during the installation process or when it comes into contact with objects in the pool. Zodiac Group Australia Pty Ltd is not responsible for, and the Limited Warranty does not cover, pattern removal, abrasion or markings on vinyl liners.

## SAVE THESE INSTRUCTIONS

## Section 2. Getting Started

### 2.1 General Specifications

The general specifications for the cleaner are as follows:

<b>Control box supply voltage</b> 	220-240 VAC, 50 Hz; short circuit-proof safety isolating type
<b>Supply voltage</b>	30 V DC
<b>Installed load</b>	150 W max
<b>Cable length</b>	15m (50 ft)
<b>Cleaner size (WxDxH)</b>	41 x 42 x 25 cm
<b>Weight of Cleaner</b>	9 kg
<b>Filtration</b>	All-purpose filter canister
<b>Cycle lengths</b>	Variable programming

The cleaner power supply is double-insulated. A double-insulated electrical appliance is one which has been designed in such a way that it does not require a safety connection to ground. Therefore, devices having double-insulated construction, such as this cleaner, do not require a grounded (three-prong) plug.

### 2.2 Recommendations for Use

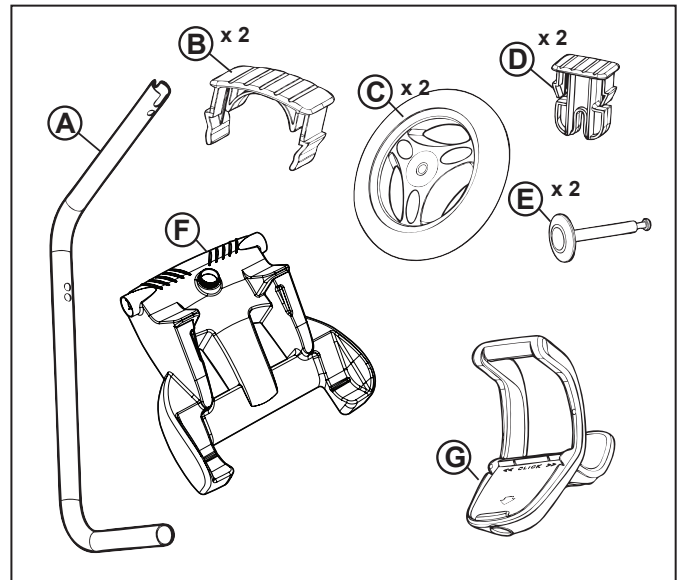
- When the pool is dirty, remove the largest debris using a net in order to optimise cleaner performance.
- Remove any thermometers, toys, and other objects that might damage the cleaner.
- The cleaner must operate in pool water with the following characteristics: chlorine < 3 ppm; pH 6.8 - 7.6; temperature 15° C - 35° C.
- Fully submerge the cleaner before beginning the cleaning cycle.
- Start by launching several Floor only mode cleaning cycles.
- Never cover the control box while the cleaner is in operation.
- You can operate the filter pump during a cleaning cycle; any particles in suspension will be filtered out. However, it is advised to start cleaning with the filter pump off.
- If part of the pool is not cleaned properly, change the launch point of the cleaner.
- Launch the cleaner with enough floating cable to cover the widest distance of the pool to avoid tangling.

- An average three cycles per week of the cleaner means your pool will always be clean and the filter less clogged.

### 2.3 Unpacking

The packaging should contain the following items:

- Robotic cleaner and floating power cable
- Control unit with power cord
- Transport and storage caddy assembly components (Figure 1)
  - (a) handle frame
  - (b) support blocks (x 2)
  - (c) wheels (x 2)
  - (d) wheel locking clips (x 2)
  - (e) wheel axle / hubcap (x 2)
  - (f) base unit
  - (g) caddy handle



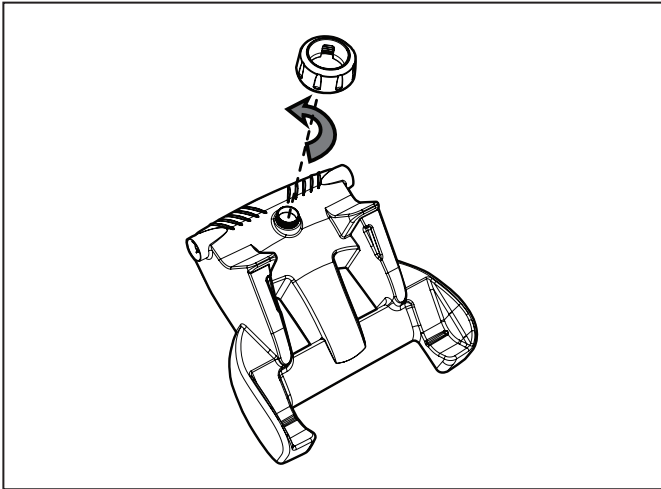
**Figure 1. Transport Caddy Assembly Components**

When unpacking the cleaner and its components:

- Check to make sure each component is in the box.
- Check cleaner and components for damage during transport.
- If there are missing parts or damage, contact Zodiac Technical Support: 1300 763 021

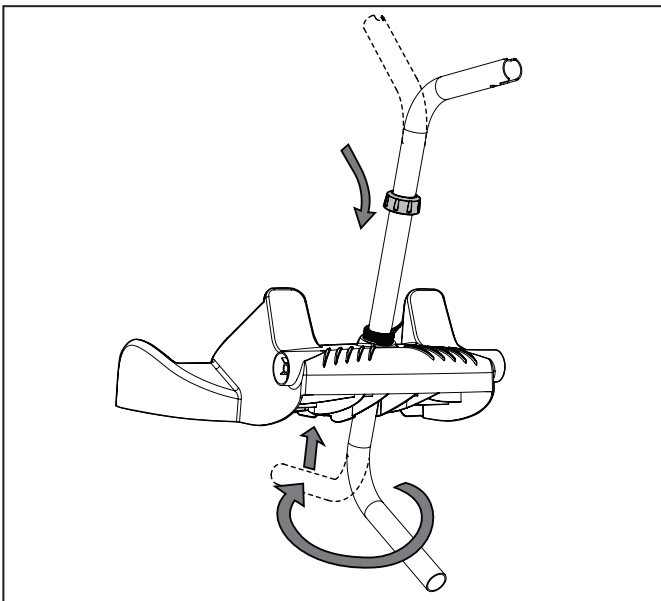
## 2.4 Assembling the Transport Caddy

1. Unscrew the handnut from the base unit (Figure 2).



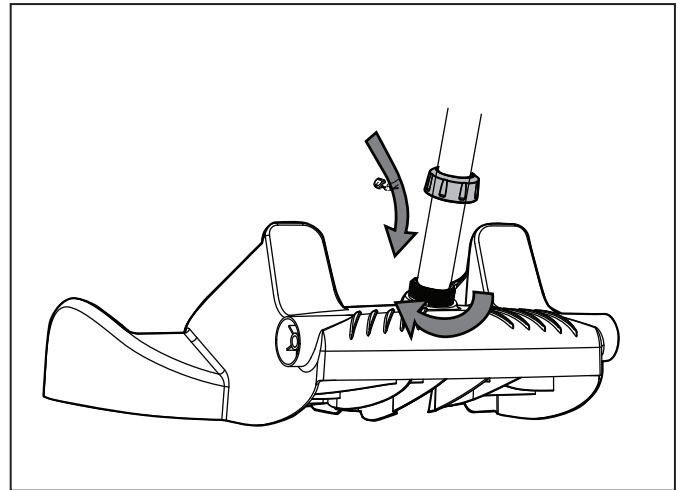
**Figure 2. Remove Handnut from Base Unit**

2. Insert the metal handle frame tubing into the base unit with notch end at the top, then rotate so the bends are away from you. (Figure 3).
3. Push base unit down (Figure 3) so the metal handle frame is seated in the recess on the underside of the base.



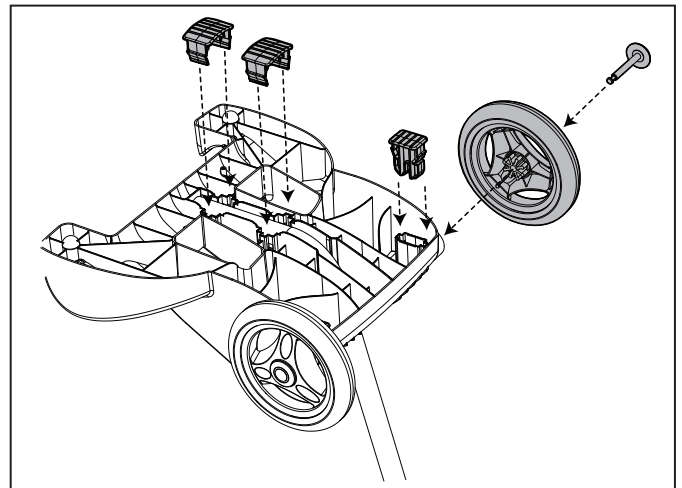
**Figure 3. Connect Metal Frame to Base Unit**

4. Slide the handnut over the tube and twist to tighten onto base unit (Figure 4).



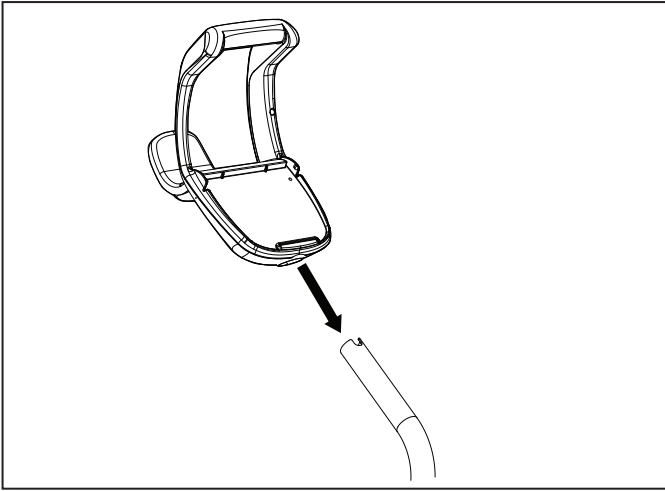
**Figure 4. Twist Handnut to Secure Frame**

5. Snap two (2) support blocks into place (Figure 5).
6. Slide axle and hubcap piece through center of wheel and attach to base unit. Snap locking clip into place to secure wheel. Repeat to attach both wheels (Figure 5).

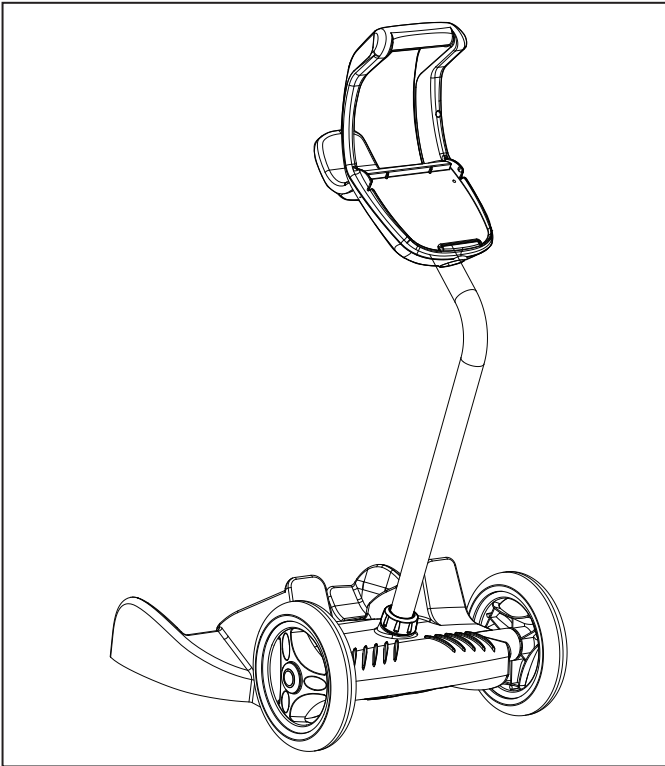


**Figure 5. Snap in Support Blocks and Attach Wheels**

7. Slide the control unit base / caddy handle attachment down over the metal tubing until it snaps into place. (See Figure 6).



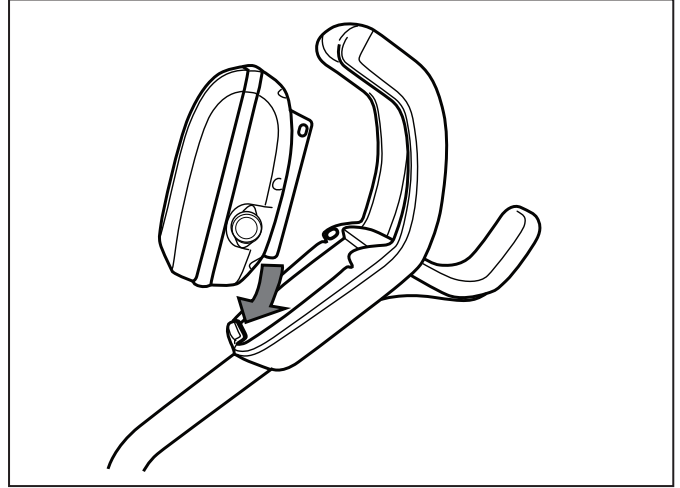
**Figure 6. Attach Caddy Handle**



**Figure 7. Fully Assembled Transport Caddy**

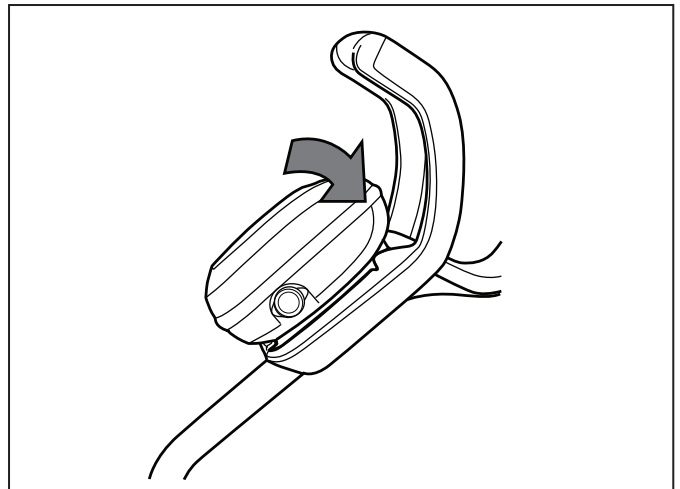
## 2.5 Connecting the Control Unit to the Caddy

1. Align the bottom of the control unit with the notch at bottom of the control unit hook on the caddy (Figure 8).



**Figure 8. Align Control Unit on Caddy Hook**

2. Press control unit onto the caddy hook until it snaps and locks into position (Figure 9).



**Figure 9. Attach the Control Unit onto Caddy**

## 2.6 Connecting to a Power Source

### **⚠ WARNING**

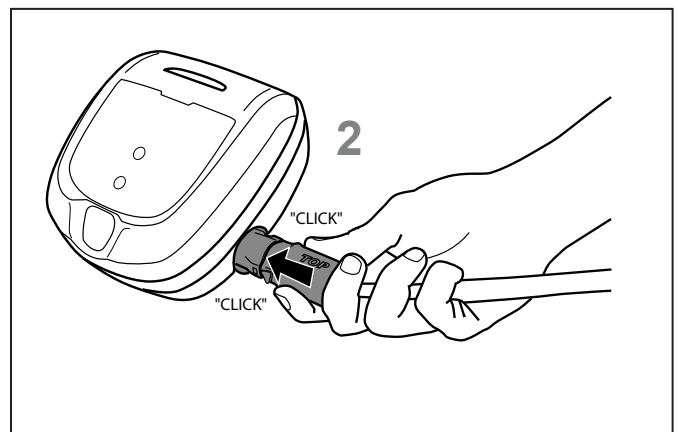
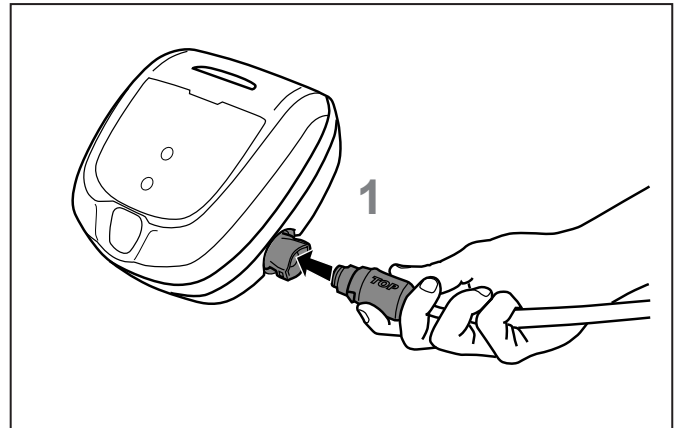
Failure to comply with the following warnings can result in permanent injury, electrocution or drowning.

#### **PREVENT ELECTRICAL SHOCK**

- Keep the Control box at least 3.5 m from the edge of the pool.
- The cleaner is to be installed in accordance with the relevant requirements of the Australian wiring rules AS/NZS 3000. Also refer to the installation instructions relating to the swimming pool equipment for which the cleaner will be an integral part. The cleaner is to be supplied through a Residual Current Device (RCD) with a rated residual operating current of 30mA.
- Do not use an extension cord to connect the Control box.
- Do not allow anyone to swim while the cleaner is in the pool.
- The Control box is water-resistant, not waterproof. In order to prevent electrocution, never submerge the Control box or leave exposed to inclement weather.

#### **To Connect:**

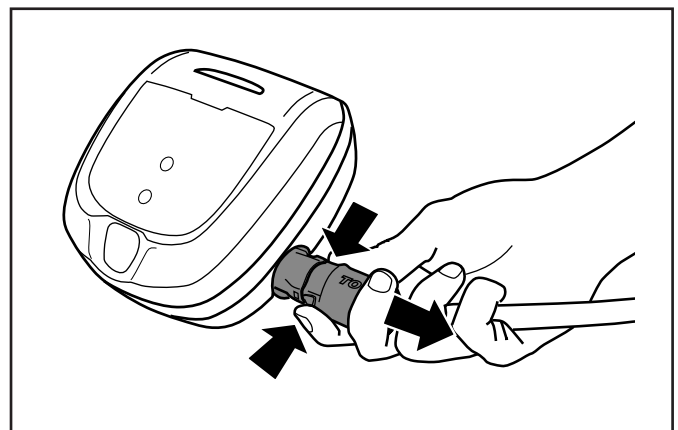
- Rotate the power cord so that TOP is shown on the top side. Press the power cord firmly into the control unit until you hear a "click" (see Figure 10). The clicking indicates the power cord is connected correctly creating a watertight seal.



**Figure 10. Connect the Power Cord**

#### **To Disconnect:**

- Grip the power cord firmly on each side and press two tabs to release (see Figure 11.)



**Figure 11. Disconnect the Power Cord**

## Section 3. Operation

### ⚠ CAUTION

To prevent damage to the cleaner, be sure to adhere to the following guidelines:

- Remove the cleaner from the pool after the cleaning cycle is completed and store out of direct sunlight or inclement weather.
- Take additional care when lifting the cleaner out of the pool. It becomes heavier when filled with water.
- Always remove the cleaner from pool before adding chemicals, such as chlorine or acid.
- Do not handle cleaner while it is in operation.

### IMPORTANT

- Always make sure the cleaner head is fully submerged before you begin operation.
- Clean the filter canister after each cleaning cycle.
- Do not leave your cleaner in the pool on a permanent basis.
- At the end of each cycle, remove the cleaner from the pool. Start at the cleaner head and untangle any coils in the cable before storing the cleaner.

- The pool cleaner is so efficient that it is not necessary to run more than three cycles per week.
- The cleaning cycle can be customized at any time, before the cleaner starts or while it is operating.

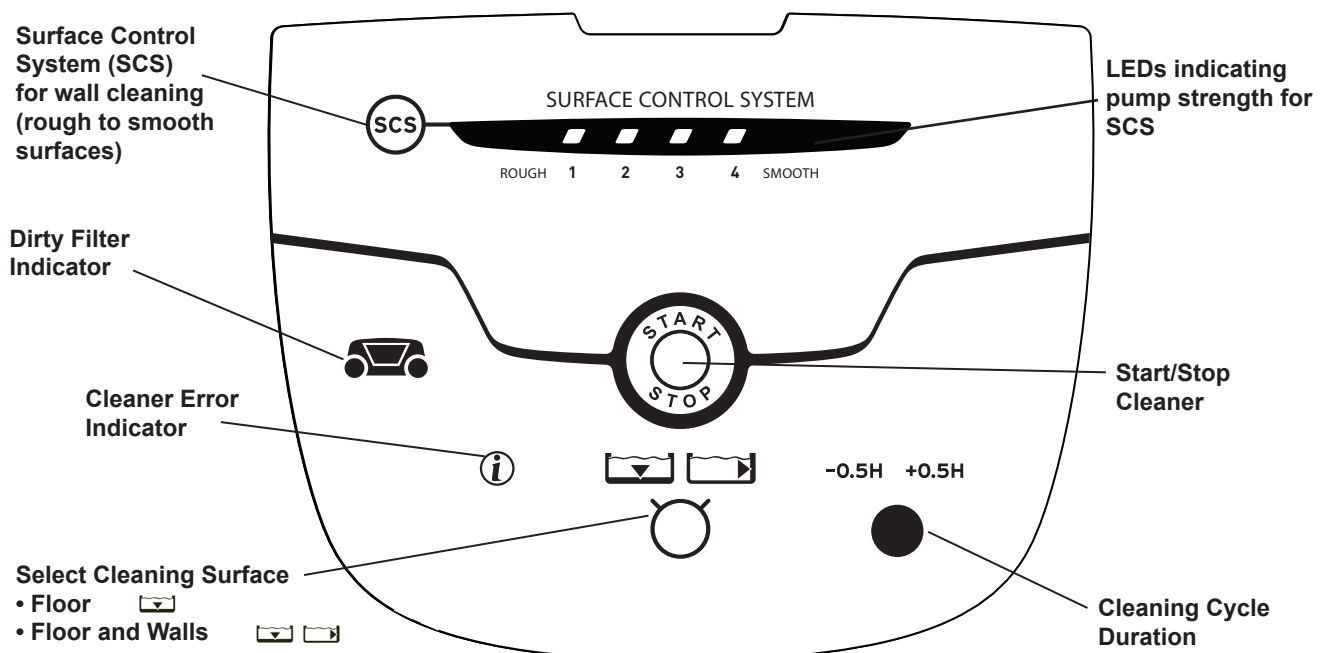
The Zodiac® robotic cleaner includes a safety feature that automatically stops the cleaner if it is powered on but not submerged in water. For pools equipped with a beach area, this safety feature is programmed to drive the cleaner in reverse and back into the pool when the impeller is out of the water.

### 3.2 Submerging the Cleaner

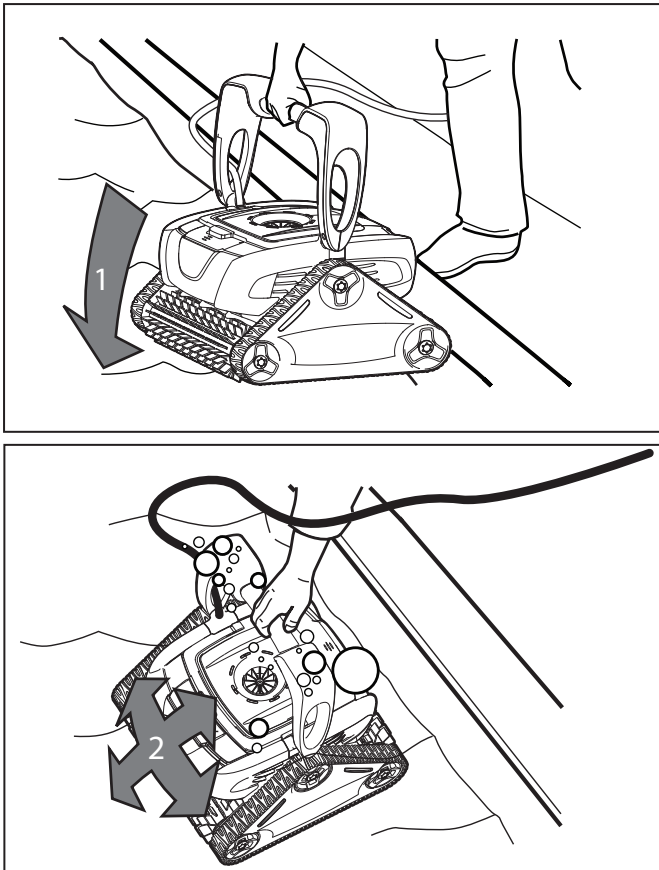
1. Submerge cleaner vertically (1) and hold it under the surface, moving gently from side to side (2) until the bubbles stop to remove any air trapped inside (Figure 12).
2. When the bubbles stop, allow the cleaner to sink to the bottom of the pool.
3. Verify the cleaner is sitting on the bottom of the pool. Remove additional air if the cleaner is still floating.

**NOTE:** The cable side of the cleaner remains up as long as the cleaner fan motor is OFF. As soon as you turn the cleaner ON, the handle lowers.

### 3.1 Cleaner Control box



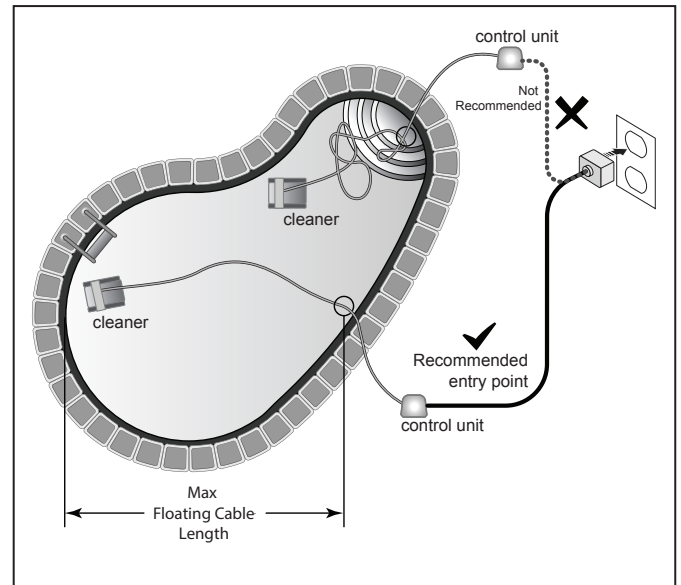




**Figure 12. Submerge and Remove Trapped Air**



4. Spread the floating cable over the pool, making sure there are no kinks or coils in the cable .

**NOTE:** Allow enough floating cable to reach across the farthest length of the pool but do not let excessive cable in the pool. Excessive cable length may cause tangling or affect the cleaning pattern (see Figure 13).



**Figure 13. Spread Floating Cable Across Farthest Distance of the Pool**

### 3.3 Starting the Cleaner


The first time you use the cleaner, the cleaning surface default setting is Floor and Wall  . After the first time, the default is the last setting used.

#### Select Cleaning Surface:

- Use   to change cleaning surface setting.



#### Begin Cleaning:

- After selecting the cleaning surface, press  to begin operation.
- At the beginning of the cycle, the cleaner remains in place for a few seconds to initialize the microcontroller after the fan motor starts.

### 3.4 Wall Climbing (Surface Control System)


The cleaner has the ability to clean the pool walls up to the waterline. How much the cleaner needs to grip to the wall depends upon the pool surface.

#### Grip Intensity Indicator:

Surface Control System (SCS) settings are as follows for different pool surface types:



#### Check Wall Climbing Setting:


- Start the cleaner and watch as the cleaner climbs each wall. If grip setting is correct, the cleaner will easily climb the wall and clean up to the waterline. The default setting is :

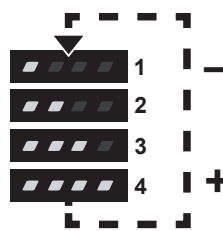
**NOTE:** Wall climbing is programmed in a randomized (SMOOTH) pattern. Cleaner may climb wall and not reach waterline until third or fourth attempt in order to thoroughly clean wall surface below the waterline first.

- Adjust the wall climbing setting as necessary using the following guidelines:  
**Increase:** if cleaner is climbing the wall slowly and stays below the waterline.  
**Decrease:** if cleaner is climbing the wall too quickly and sucking air at the waterline.


#### Adjust SCS Wall Climbing Setting:

You can change the wall climbing setting at any time during cleaner operation with the SCS button. The new setting will be active when the cleaner climbs the next wall.

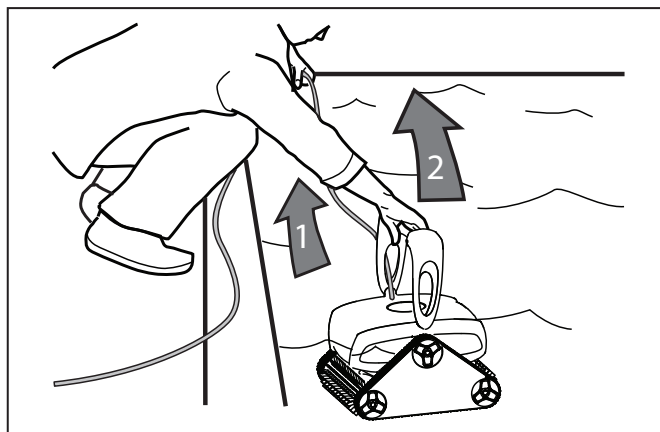
- Press  to adjust the wall climbing setting one level higher.
- One additional LED lights each time you press the button to indicate stronger grip on the wall.
- To decrease setting, press button to cycle through back to one LED (lowest setting).



### 3.5 Stopping the Cleaner and Removing from the Pool

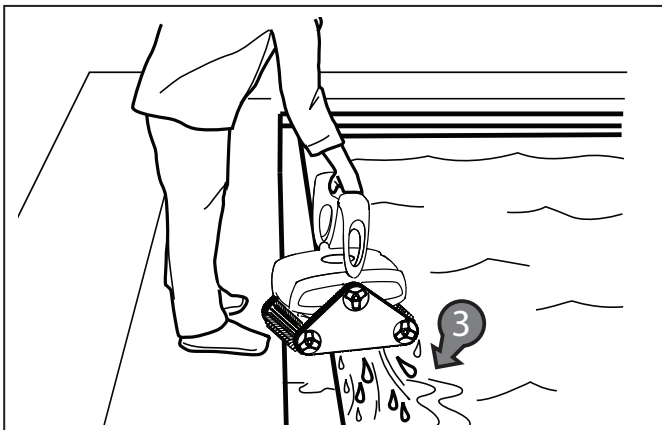
- Press  to interrupt operation.
- When the cleaner is within arm's reach, use the handle to lift it from the water (Figure 14).

**NOTE:** Never lift the cleaner out of the pool by the floating cable. Always use the handle when lifting the cleaner.



**Figure 14. Lift Cleaner From Pool with Handle**

- Hold the cleaner vertically over the pool surface to drain water before removing (Figure 15).



**Figure 15. Lift Cleaner From Pool with Handle**

## CAUTION

Use care and correct lifting technique when lifting heavy objects. Incorrect removal of the cleaner from the pool can cause muscle strain or back injury.


### 3.6 Rinsing the Cleaner

Rinse the cleaner after every cleaning cycle. Use slightly soapy clean water, then rinse generously with clean water. Do not use solvents such as acetone or its equivalent. Do not let your cleaner dry in direct sunlight near the pool.

### 3.7 Cleaning the Filter Canister

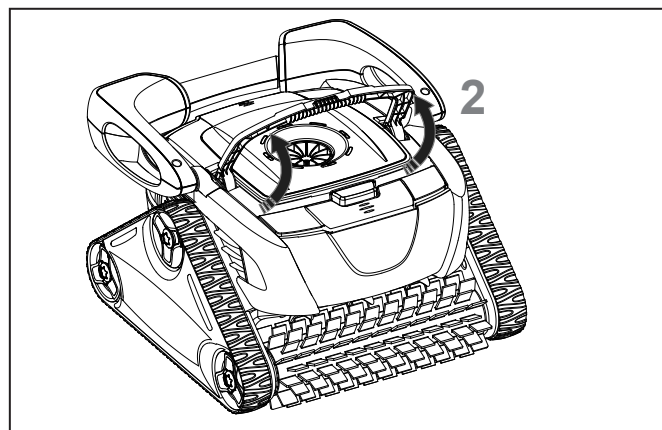
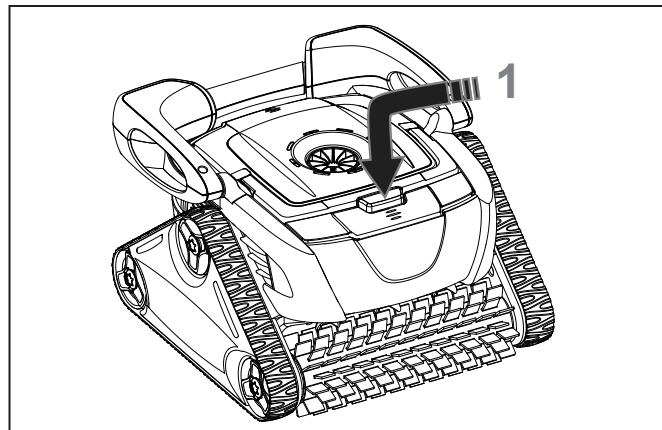
## ! WARNING

To avoid electric shock and other hazards which could result in permanent injury or death, disconnect (unplug) the control box from the power source before performing any cleaning and maintenance.

Empty the filter canister when the Dirty Filter indicator (  ) is lit.

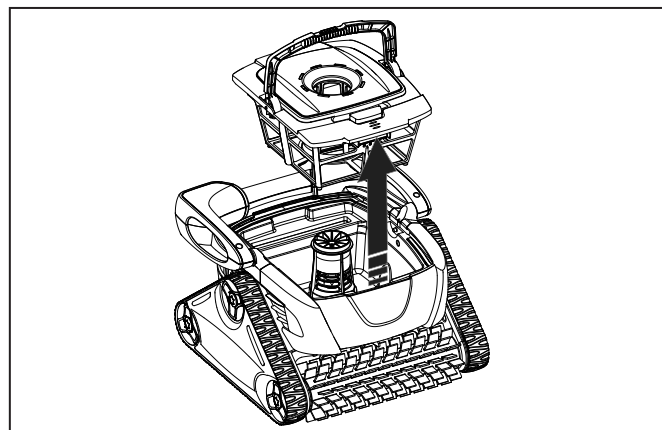
If the indicator lights in the middle of a cleaning cycle, the cleaner will finish the cycle. Empty the canister as soon as the cycle ends.

1. Unplug the floating cable at the Control box. Unplug the Control box from the power source.
2. Press the Push 'n' Go button (1) to release the filter canister handle (2) (Figure 16).



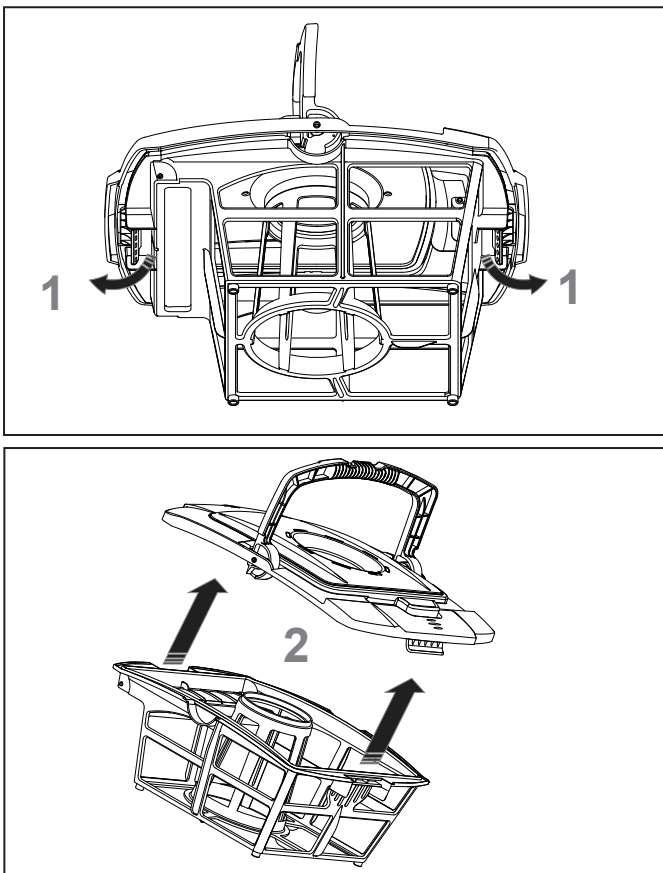
**Figure 16. Release Filter Canister Handle**

3. Grasp the handle and lift up to remove the filter canister (Figure 17).



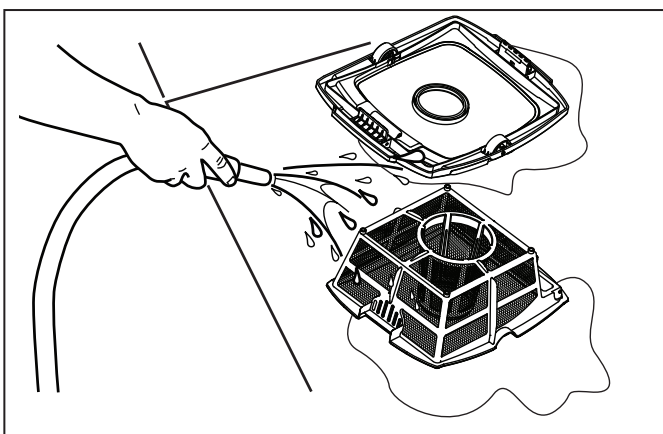
**Figure 17. Remove the Filter Canister**

4. Press two latches (1) and remove the filter canister lid (2). See Figure 18.



**Figure 18. Remove Filter Canister Lid**

5. Using a hose with clean water, rinse the filter canister and lid to remove all debris (see Figure 19).



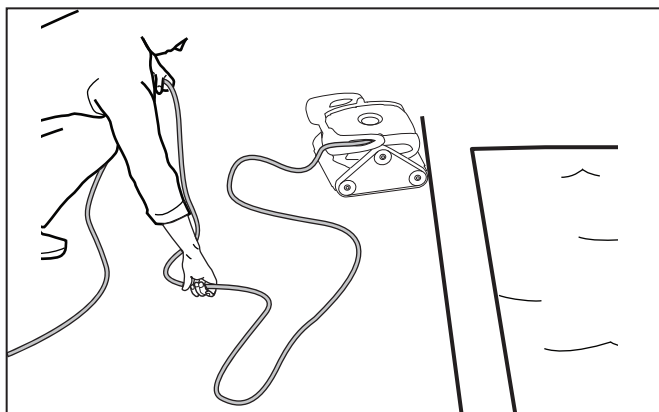
**Figure 19. Rinse the Filter Canister**

6. Replace lid on the canister and then replace canister back into the cleaner body.

### 3.8 Storing the Cleaner

The cleaner must be cleaned regularly using slightly soapy clean water. Do not use solvents such as acetone or its equivalent. Rinse the cleaner generously using clean water. Do not let your cleaner dry in direct sunlight near the pool. The cleaner must be stored on its caddy so that it dries quickly.

1. Starting at the cleaner head. Remove all coils and tangles from the cable (see Figure 20).



**Figure 20. Untangle the Floating cable**

2. Place the cleaner in vertical position on the caddy base with the rear tracks on the caddy side wedges (see Figure 21).
3. Loosely coil the power cable starting at the cleaner and moving toward the connection point at control unit. Store the cable by wrapping it around the hook located on the front of the caddy (see Figure 21).
4. Disconnect the cable from the control unit and coil loosely around the caddy hook.
5. If you removed the control unit from the caddy, replace it by aligning the bottom of the control unit with the caddy notch, hook it onto the caddy, then press firmly in place until you hear a "click".

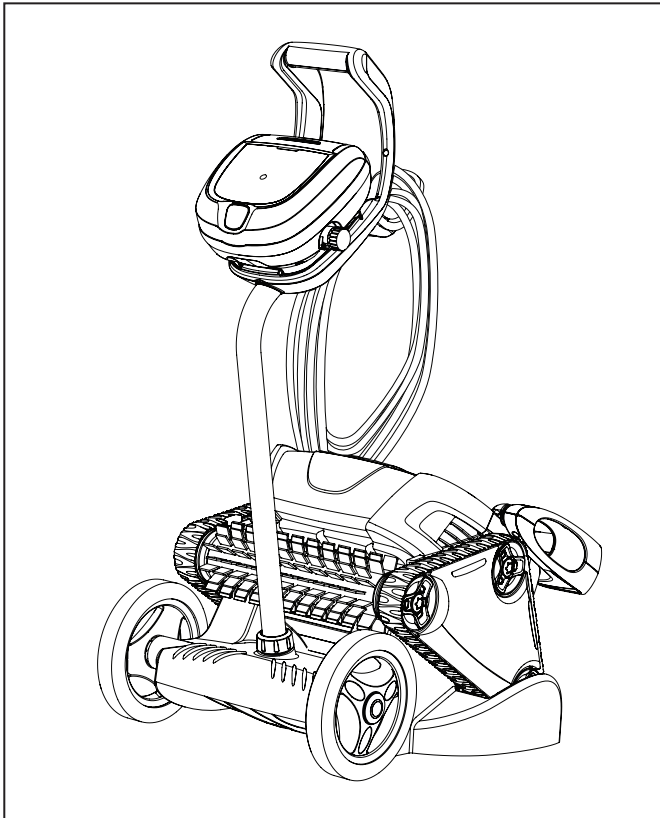


Figure 21. Cleaner Stored Correctly on Caddy

## Section 4. Maintenance

### **⚠ WARNING**

To avoid electric shock and other hazards which could result in serious injury or death, disconnect (unplug) the cleaner from the power source before performing any cleaning and maintenance.

### 4.1 Avoid Cord Tangling

During cleaning, always allow enough floating cable to reach across the farthest length of the pool but do not let excessive cable in the pool. Excessive cable length may cause tangling or affect the cleaning pattern (see Figure 22).

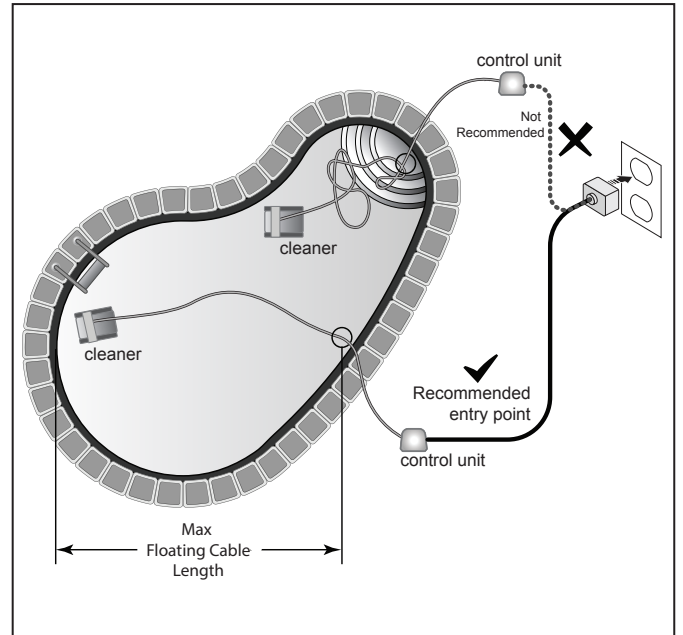


Figure 22. Spread Floating Cable Across Farthest Distance of the Pool

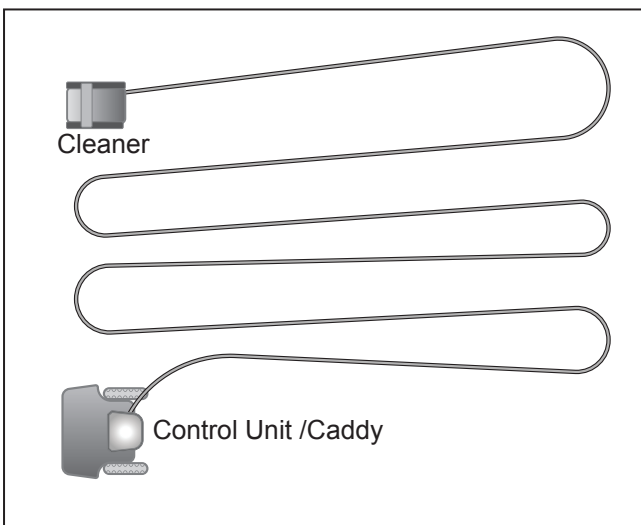
### **IMPORTANT**

The floating cable may become tangled if correct procedure is not followed.

Do not leave the cleaner unattended for prolonged periods, always spread the floating cable over the pool, and follow the procedure below to avoid excessive tangling.

### After every cleaning cycle:

1. Unplug power to the cleaner at the control unit.
2. Remove the cleaner from the pool and untangle all kinks and coils in the floating cable starting at the cleaner head (see Figure 23). Lay cable in sunlight to loosen tangling memory in the cable.
3. Plug power cord back into control unit and store cleaner on the caddy out of direct sunlight for next use.



**Figure 23. Untangle the Floating cable**

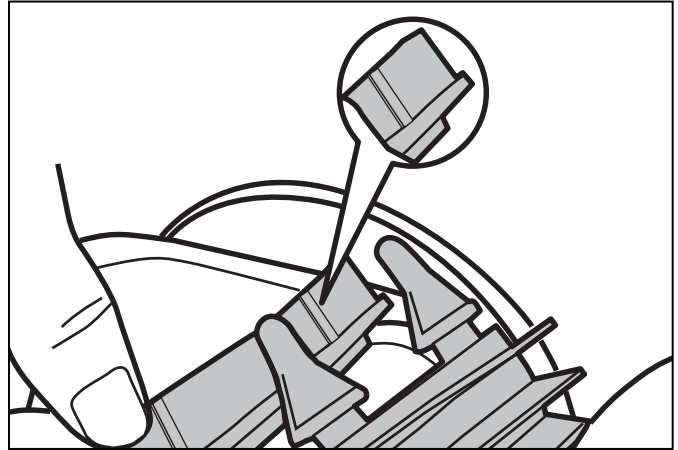
## IMPORTANT

The floating cable may become tangled if correct procedure is not followed after each cleaning cycle.

Do not leave the cleaner unattended for prolonged periods, always spread the floating cable over the pool, and follow the procedure to avoid excessive tangling.

### 4.2 Check for Brush Wear

The cleaner is fitted with PVC brushes in front and rear. There are raised grooves that are "wear" indicators on the brushes located next to the tab connectors (see Figure 24). As brushes wear out, the raised groove will flatten and smoothen into the track.



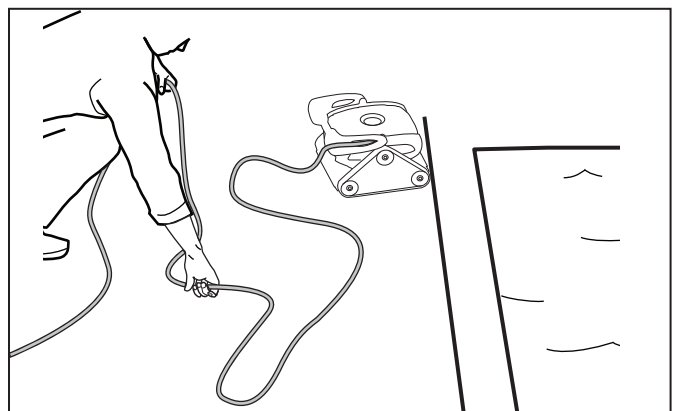
**Figure 24. Wear Indicators**

To maintain optimal cleaner performance, replace the brushes as soon as one of the wear indicators is smooth or worn down (even if the blade wear is not even). It is recommended that brushes are routinely replaced every two (2) years.

### 4.3 Storing the Cleaner

Do not let your cleaner dry in direct sunlight near the pool.

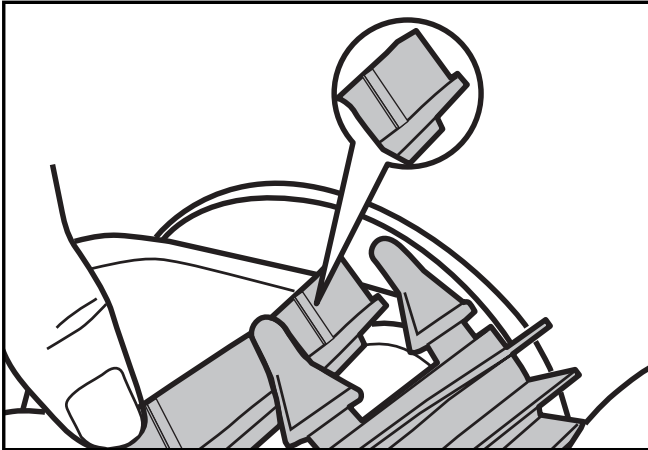
1. Starting at the cleaner head. Remove all coils and tangles from the cable (Figure 25).
2. Store the cleaner out of direct sunlight.



**Figure 25. Untangle the Floating Cable**

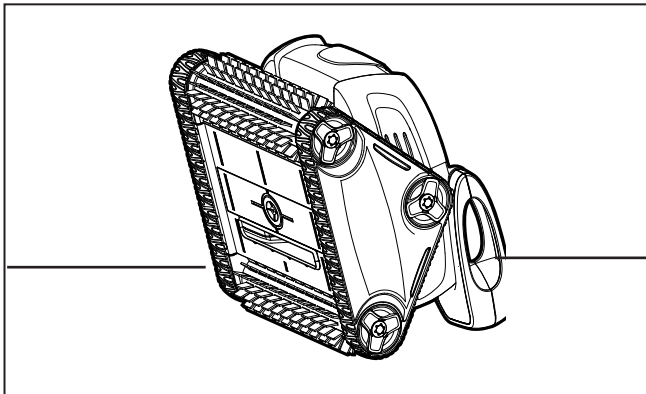
## 4.4 Replacing the Brushes

The cleaner is fitted with PVC brushes in front and rear. There are "wear" indicators (Figure 26) on the brushes. To maintain cleaner performance at its best you need to replace the brush matt as soon as one of the wear indicators has been reached (even if the bristle wear is not even). Zodiac Group Australia Pty Ltd recommends that you replace the brushes every two (2) years.



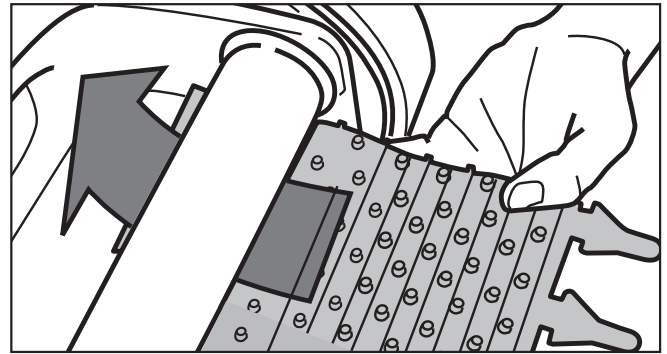
**Figure 26. Wear Indicators**

1. Stand the cleaner on its end in a vertical position (Figure 27).



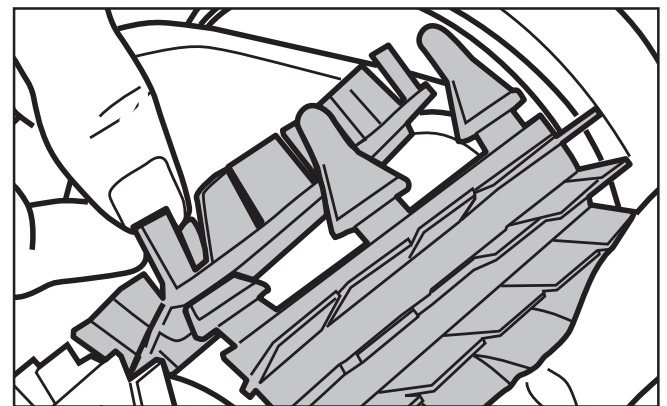
**Figure 27. Stand Cleaner Upright**

2. Separate the edges of the brush, undo the tabs, and remove the worn matt.
3. Position the new brush matt underneath the roller with the bristles facing downwards. Refer to Figure 28.



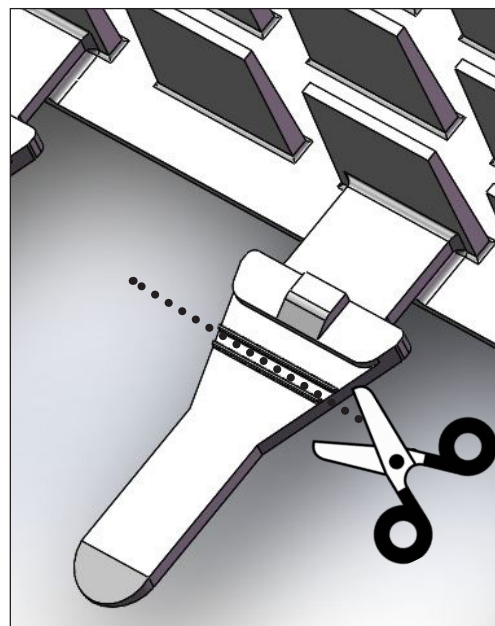
**Figure 28. Position the New Brush on Roller**

4. Thread each tab into the slot provided and gently feed it through until the heel comes out at the other side of the slot. Refer to Figure 29.



**Figure 29. Pull Tabs Through Each Slot**

5. Use scissors to cut the tabs at the guides, as shown in Figure 30.

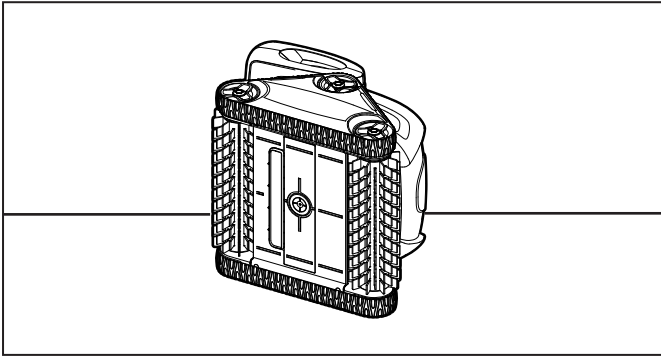


**Figure 30. Cut Tabs**

6. Repeat this procedure to replace the second brush matt.

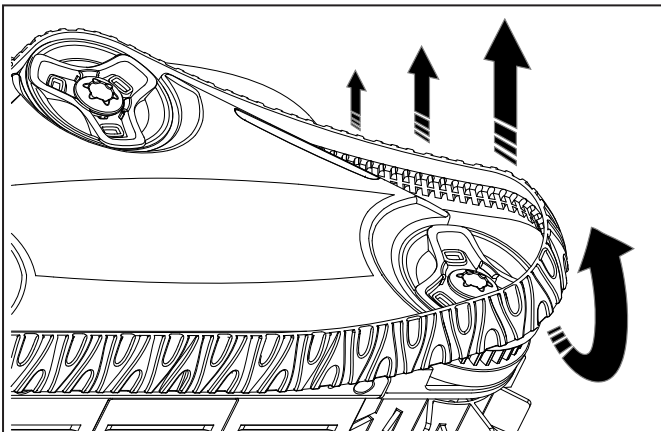
## 4.5 Replacing the Track

1. Stand the cleaner on its side (Figure 31).



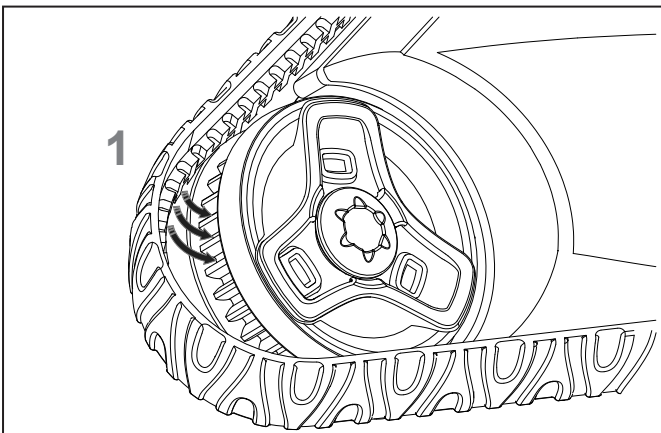
**Figure 31. Stand Cleaner on its Side**

2. Starting at one of the wheels, pull on the inside of the track to separate the tire lip from the wheel. See Figure 32. Remove the track from the cleaner.



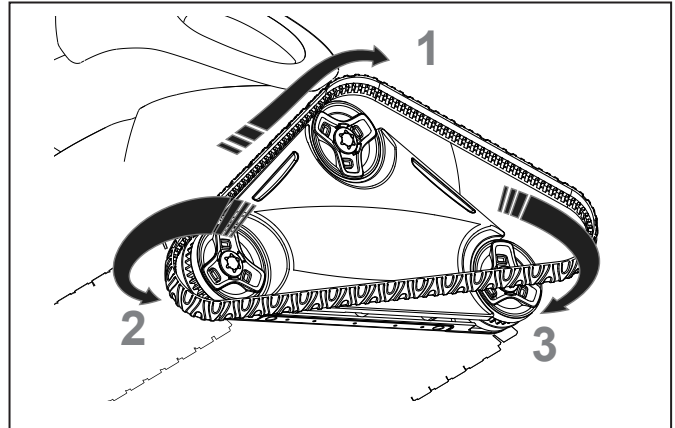
**Figure 32. Pull the Track Over Wheels to Remove**

3. To install a new track, place the inside rib of the track into the groove in the first wheel. See Figure 33.



**Figure 33. Position Track into Wheel Grooves**

4. Stretch the track around the second wheel, then pull over the last wheel (see Figure 34). Push and position the rib of the track so that the track is seated properly in the groove of the wheel.




**Figure 34. Stretch Track Around Wheels**

5. Verify the rib of the track is positioned properly within the groove of each of the three wheels and under the track guide. If necessary, turn the wheels gently to seat the track.



## Section 5. Troubleshooting

### 5.1 Using the Information LED

The information LED  on the Control box flashes in a specific sequence to indicate one of three possible cleaner malfunctions.

LED Flashing	Cause	Solution
<b>1 Flash</b> LED flashes once	Floating cable may not be plugged into the Control box correctly.	Unplug the floating cable from the Control box and reconnect. If the problem persists, contact Zodiac Customer Service at 1300 763 021
<b>2 Flashes</b> LED flashes twice	Cleaner wheels may be jammed or brushes may be blocked with debris.	Turn cleaner wheels to ensure they are not jammed. Check brushes for debris. Start a new cleaning cycle. If the problem persists, contact Zodiac Customer Service at 1300 763 021.
<b>3 Flashes</b> LED flashes three	Pump axis or propeller may be jammed with debris.  Dirty filter.	Check the pump axis for debris. Check propeller for debris. Clean the filter. Start a new cleaning cycle. If the problem persists, contact Zodiac Customer Service at 1300 763 021.

## 5.2 General Troubleshooting

The following table lists some of the common symptoms, causes, and solutions for correcting cleaner operation problems.

Problem	Cause	Solution
The Information LED flashes just after Start.	Floating cable may not be plugged into the Control box correctly.	Remove cleaner from the pool. Unplug floating cable from the Control box and reconnect.
	Cleaner may not be fully submerged.	Remove cleaner from the pool and re-submerge,
	Cleaner may need to be reset and begin a new cycle.	Remove cleaner from the pool. Press power button OFF, then begin a new cycle.
	Propeller may be jammed and not turning correctly.	Remove cleaner from the pool. Contact Zodiac Customer Service at 1300 763 021.
	Wheels may be jammed and not turning correctly.	Remove cleaner from the pool. Contact Zodiac Customer Service at 1300 763 021.
The Information LED flashes during the cleaning cycle.	Cleaner may be sucking air (lights will appear after 60 seconds air intake)	Remove cleaner from the pool and re-submerge, see <i>Submerging the Cleaner</i> .
The cleaner does not stay firmly on the pool bottom.	There is air in the appliance casing.	Remove cleaner from the pool and re-submerge, see <i>Submerging the Cleaner</i> .
	The filter canister is full or dirty.	Remove cleaner from the pool. Clean the filter canister, see <i>Cleaning the Filter Canister</i> .
The cleaner does not or no longer climbs the pool walls.	The filter canister is full or dirty.	Remove cleaner from the pool. Clean the filter canister, see <i>Cleaning the Filter Canister</i> .
	Walls of pool are slippery or slimy. Although the water seems clear, microscopic algae, invisible to the human eye, are present in the pool. As a result the pool sides become slippery and prevent the cleaner from climbing. Check tires for wear and replace as necessary.	Remove cleaner from the pool. Do a shock chlorination treatment to eliminate algae. DO NOT leave the cleaner in the pool during this treatment.
On startup the cleaner does not move.	No power supply to the cleaner.	Remove cleaner from the pool. Check that the power outlet to which the Control box is connected is operating correctly by plugging another device into the power outlet..
	Unit is turned OFF.	Remove cleaner from the pool. Turn the wheels then disconnect the Control box and wait at least 20 seconds before reconnecting. If the problem persists, contact Zodiac Customer Service at 1300 763 021.
Cable is tangling in the pool	Too much cable length in the water.	Remove cleaner from the pool. Do not unravel the entire cable. Use only maximum cable length to cover the pool area. Place the remaining unused cable on the side of the pool. Adjust the entry location in the pool to correct cord tangling. Follow the procedure in <i>Cord Tangling</i> to avoid and correct tangled cord.
The cleaner is not cleaning effectively.	The brushes have become smooth or the "wear" indicator shows.	Remove cleaner from the pool. Replace the brushes following the procedure in <i>Replacing the Brushes</i> .
	Filter canister is full or dirty.	Remove cleaner from the pool. Clean the filter canister following the procedure in <i>Cleaning the Filter Canister</i> .
	Floating cable is excessively coiled or kinked.	Remove cleaner from the pool. Make sure the floating cable is spread out over the pool. Ensure the cable is not too tightly wrapped or coiled when storing. If the problem persists, lay the cable straight in the sun to relax it and remove kinks. Follow the procedure in <i>Cord Tangling</i> to avoid and correct tangled cord.

## Section 6. Conformity



EU

IEC 60335-2-41



87002641965

**Intertek**

3145455L100001-01A

Australian Cert. No. **SAA100894EA**

**SAA100540**

The manufacturer reserves the right to modify these specifications without notice. Although the robotic pool cleaners have been tested in a large variety of swimming pools, Zodiac cannot guarantee that this robotic pool cleaner will be compatible with all pools. Some pool features may affect performance. For further advice, please contact your Zodiac dealer.

**Zodiac Group Australia Pty Ltd.**  
PO Box 7238  
Wetherill Park NSW 2164, Australia  
1300 763 021 | [www.zodiac.com.au](http://www.zodiac.com.au)

ZODIAC® is a registered trademark of Zodiac International, S.A.S.U, used under license.  
All other trademarks used herein are the property of their respective owners.

©2016 Zodiac Pool Systems, Inc. H0574000 RevA

